

# Spare Parts Kits

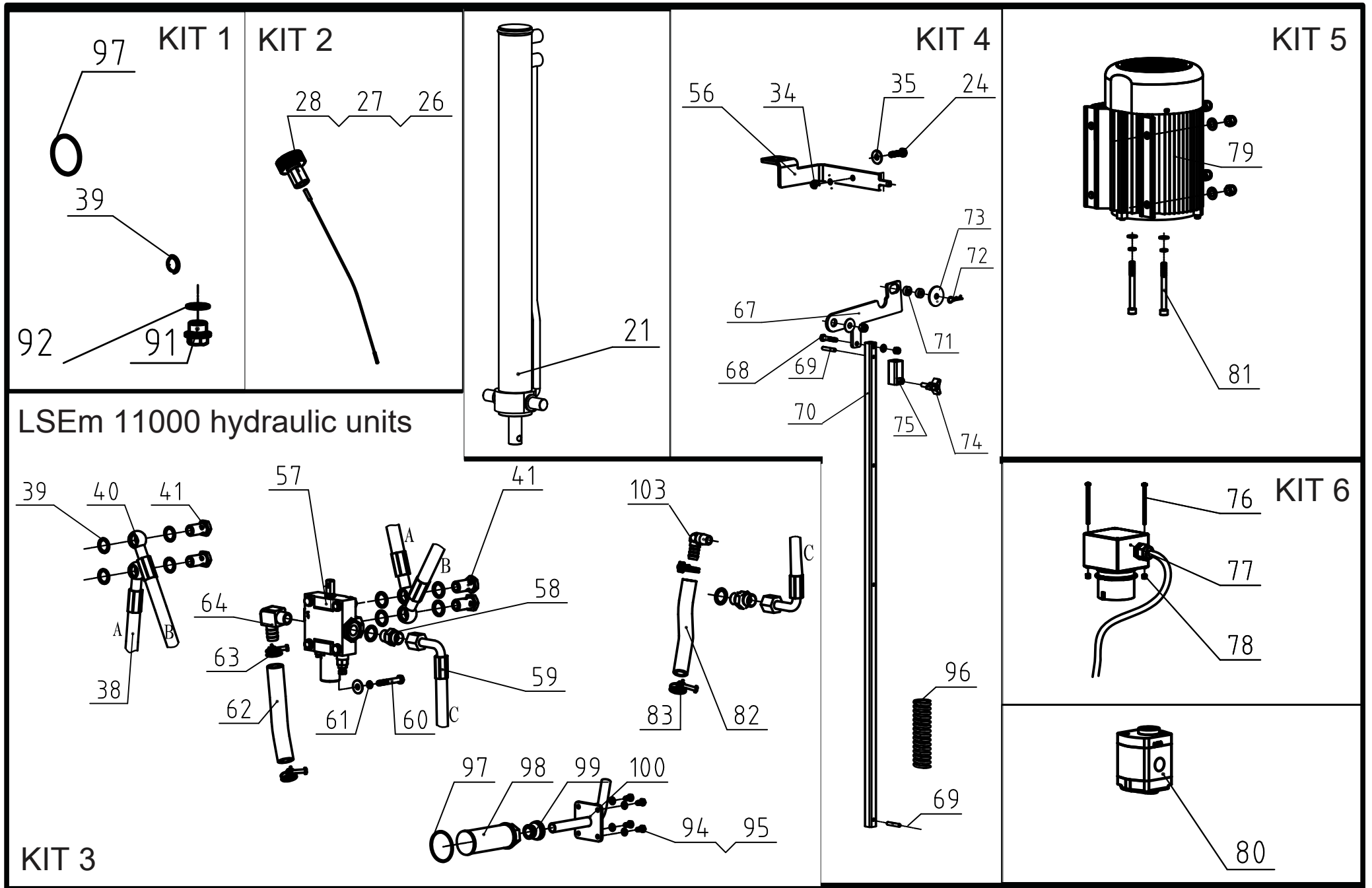


**AcXY.LSEm 11000**



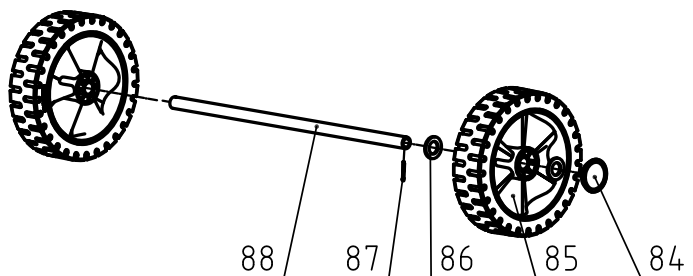


# LSEm 11000 main parts

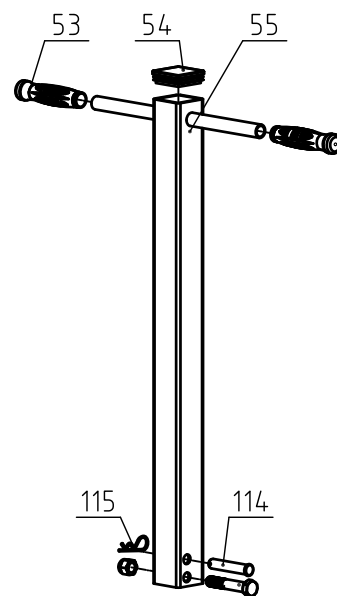
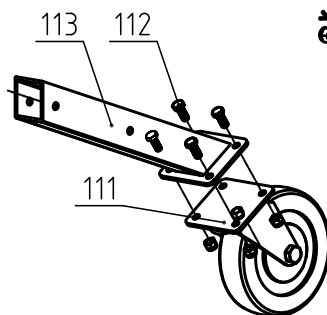
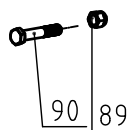
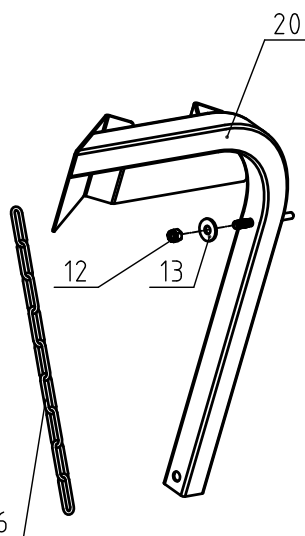
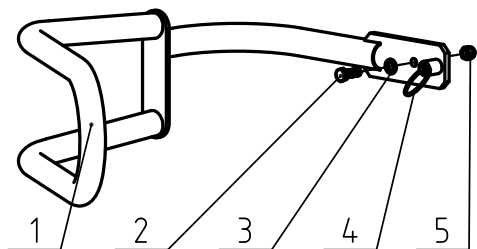
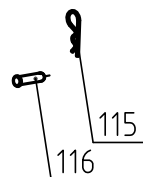
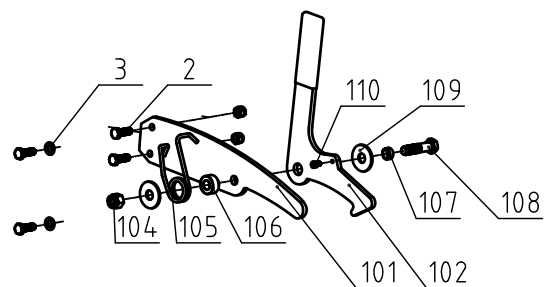
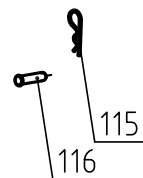


# LSEm 11000 main units

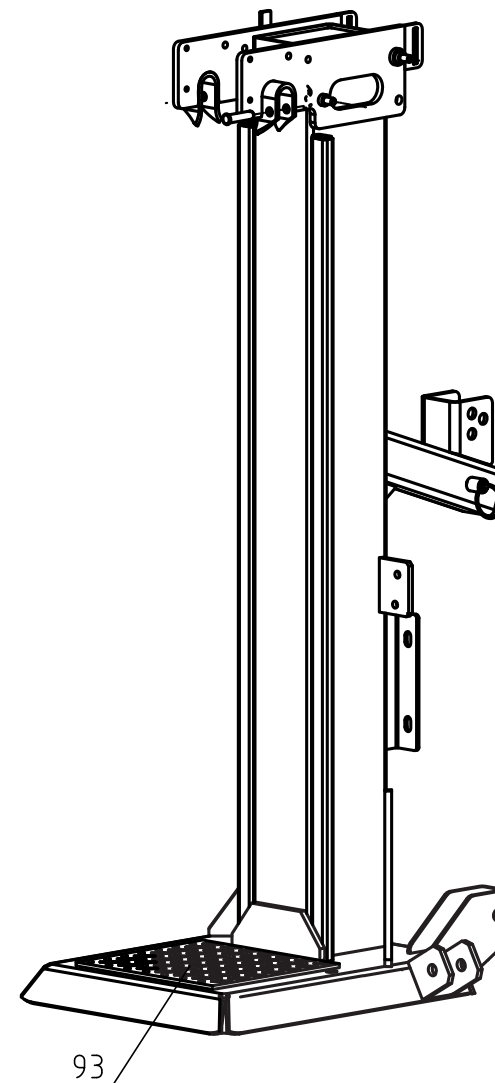
KIT 7



KIT 8

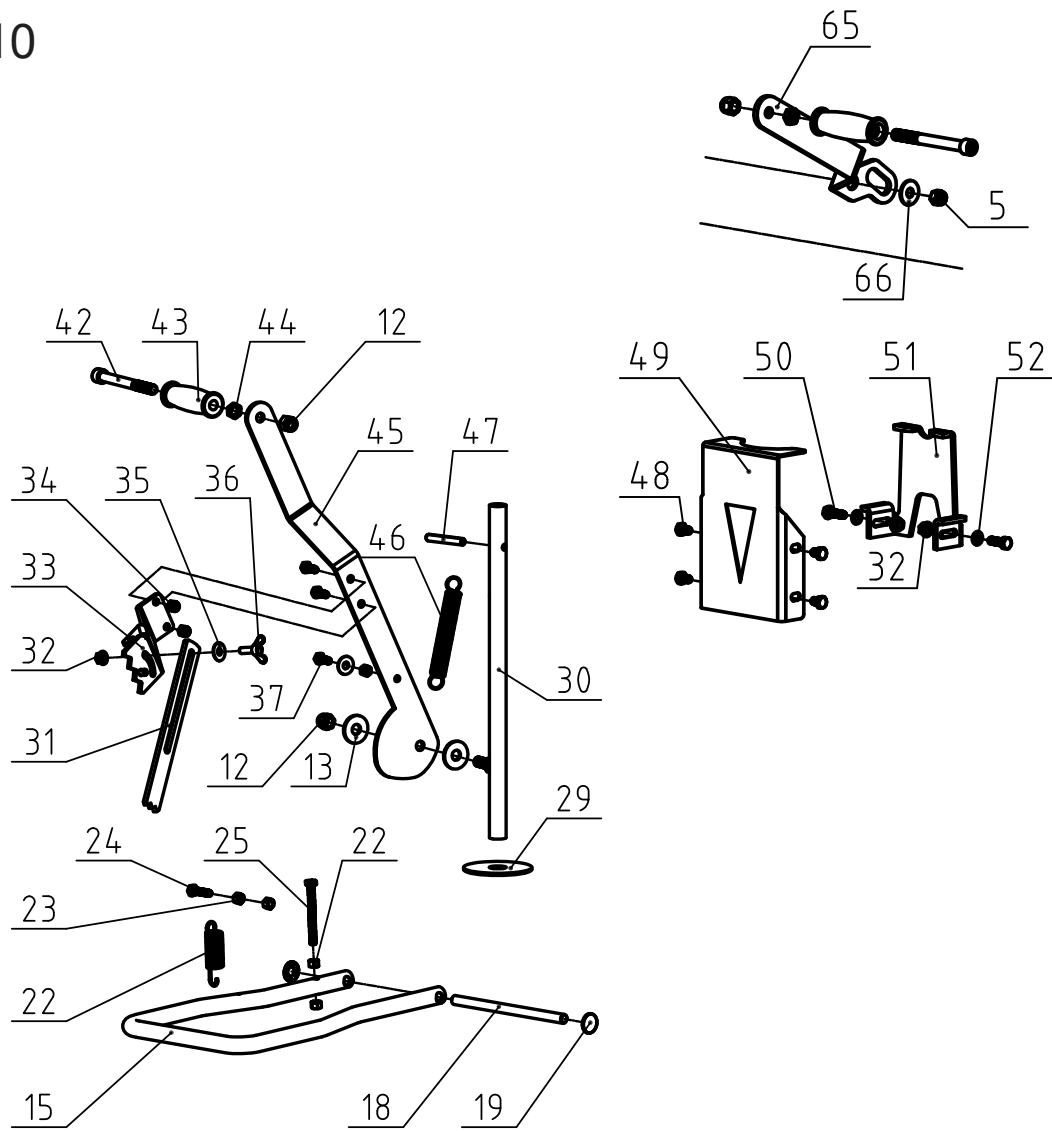


KIT 9

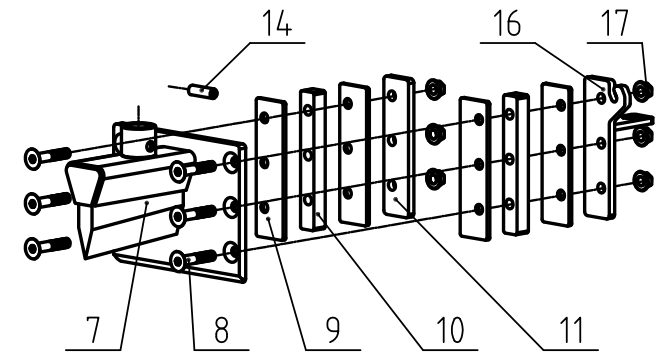


# LSEm 11000 main units

## KIT 10



## KIT 11





# REM POWER®

Rheinland Elektro Maschinen

<b>LSEm 11000</b>			
<b>No.</b>	<b>REM CODE</b>	<b>Description</b>	<b>Qty</b>
	<b>8805000001853</b>	<b>KIT 1</b>	
39		Combined Washer 20	10
91		Screw Plug	1
92		Combined Washer 22	1
97		O- Ring 50x2.65	1
	<b>8805000001854</b>	<b>KIT 2</b>	
26		Oil Cap	1
27		O- Ring 25x2.65	1
28		Oil Dipstick	1
	<b>8805000001855</b>	<b>KIT 3</b>	
38		Lower Hose	1
40		Upper Hose	1
41		Valve Connector	4
57		Valve	1
58		Hose Nipple	2
59		Inlet Hose	1
60		Bolt 8.8 M8x50	2
61		Spring Washer 8	4
62		Oil Hose 19	1
63		Hose Clamp 28-36	2
64		Hose Connector	1
82		Oil Hose 16	1
83		Hose Clamp 20-26	2
94		Bolt 8.8 M6x12	4
95		Flat Washer 6	4
97		O- Ring 50x2.65	1
98		Oil Filter K	1
99		Bush K	1
100		Flange	1
103		Rectangular Nozzle	1
	<b>8805000001856</b>	<b>KIT 4</b>	
24		Bolt 8.8 M8x30	2
34		Locknut M8	4
35		Large Washer 8	6
56		Connecting Plate for Valve	1
67		Connectin Lever	1
68		Bolt 8.8 M8x40	1
69		Cylindrical Pin 6x40	2
70		Stroke Adjusting Lever	1
71		Round Plate	2
72		Clip 2.5	1
73		Large Washer 10	1
74		Star Knob	1
75		Adjusting Sleeve	1
96		Buffer Spring	1
	<b>8805000001862</b>	<b>KIT 5</b>	
79		Single Phase Motor for model 65711	1
81		Screw M8x90	1



	<b>8805000001857</b>	<b>KIT 6</b>	
76		Screw M4x60	2
77		Switch for model 65711	1
78		Locknut M4	2
	<b>8805000001864</b>	<b>KIT 7</b>	
84		Wheel Cap	2
85		Wheel	2
86		Flat Washer 16	4
87		Cotter Pin 2x20	2
88		Wheel Axle	1
	<b>8805000001865</b>	<b>KIT 8</b>	
115		Clip 3	3
116		Pin B 12x50	2
	<b>8805000001866</b>	<b>KIT 9</b>	
1		Left Guard Bracket	1
2		Bolt 8.8 M10x30	7
3		Flat Washer 10	9
4		Locating Pin Handle	2
5		Locknut M10	13
6		Lift Chain $\phi 6$	1
12		Locknut M12	4
13		Large Washer 12	3
20		Lift Guard	1
53		Handle Grip	1
54		Square Plug	1
55		Pull Rod	1
89		Locknut M16	2
90		Bolt 8.8, M16x90	2
101		Locating Plate	1
102		Hook	1
104		Locknut M14	1
105		Torsional Spring	1
106		Locating Bush for Spring	1
107		Locating Bush	1
108		Bolt 8.8 M14x60	1
109		Large Washer 14	2
110		Screw M6x10	1
111		Support Wheel Assy.	1
112		Bolt M10x25	4
113		Fixing Tube	1
114		Pin B 16x85	1
115		Clip 3	3
116		Pin B 12x50	2
	<b>8805000001868</b>	<b>KIT 10</b>	
5		Locknut M10	13
12		Locknut M12	4
13		Large Washer 12	3
15		Control U-Handle	1
18		Axis Pin	1
19		Wheel Cap 12	2
22		Spring	1
23		Nut M8	5



# REM POWER®

Rheinland Elektro Maschinen

25		Bolt 8.8 M8x80	1
29		Nylon Washer	1
30		Shaft	1
31		Extended Log Fixing Claw	1
32		Nut M8	3
33		Log Fixing Claw	1
34		Locknut M8	2
35		Large Washer 8	2
36		Wing Bolt M8x25	1
37		Bolt M8x20	3
42		Screw M12x120	2
43		Operating Handle Grip	2
44		Thin Nut M12	2
45		Lever	1
46		Reset Spring	1
47		Cylindrical Pin 8x60	1
48		Bolt M8x12	4
49		Front Support Plate for Cylinder	1
50		Bolt M8x25	2
51		Rear Support Plate for Cylinder	1
52		Flat Washer 8	3
65		Right Operating Lever	1
66		Large Washer 10	2
	<b>8805000001869</b>	<b>KIT 11</b>	
7		Wedge Weldment	1
8		Bolt 8.8 M12x65	6
9		Friction Plate	4
10		Baffle Plate	2
11		Left Plate	1
14		Cylindrical Pin 8x40	1
16		Right Plate	1
17		Nut M12	6
<b>21</b>	<b>8805000001861</b>	<b>Cylinder for model 65711</b>	<b>1</b>
<b>80</b>	<b>8805000001863</b>	<b>Gear Pump 2.4 for model 65711</b>	<b>1</b>
<b>93</b>	<b>8805000001867</b>	<b>Main Frame</b>	<b>1</b>